



ZHEJIANG UNIU-NE Technology CO., LTD

浙江宇力微新能源科技有限公司



## U3501C Data Sheet

V 1.2

版权归浙江宇力微新能源科技有限公司

## 60V Input, Switching Current Limit Step-Down Converter

### General Description

The U3501C is a high voltage, step-down, switching regulator built-in MOSFET. It integrates a high-side, high-voltage, power MOSFET with a current limit of 5A( $I_{PK}$ ) typically. The input ranges accommodates a variety of step-down applications, making it ideal for automotive, industry, and lighting applications. Hysteretic voltage-mode control is employed for very fast response. UNI's proprietary feedback control scheme minimizes the number of required external components.

The switching frequency is 130KHz, allowing for small component size. Thermal shutdown and short-circuit protection (SCP) provide reliable and fault-tolerant operations. Low quiescent current allows the U3501C to be used in battery-powered applications.

The U3501C is available in a ESOP-8 package with an exposed pad.

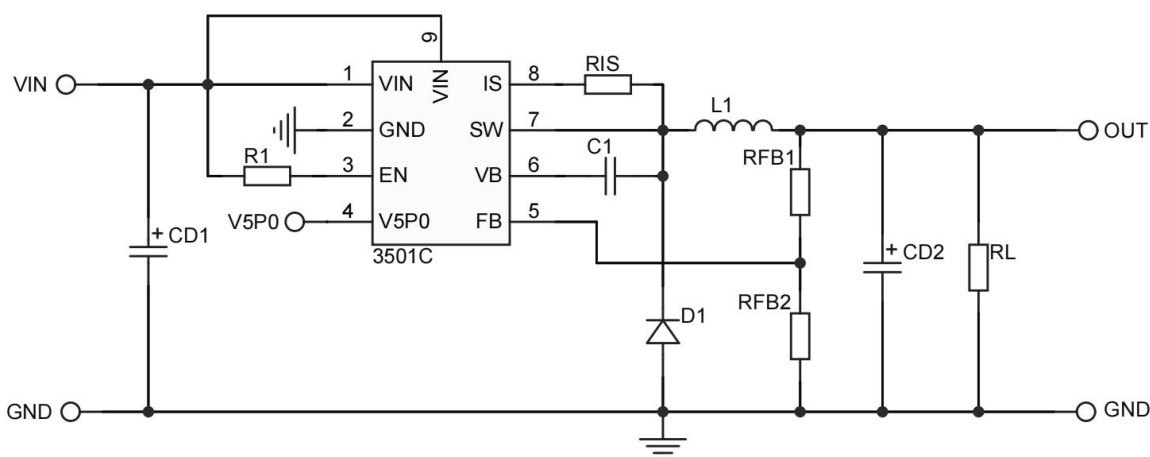
### Key Features

- Integrated high voltage start circuit
- Integrated 5.3V reference
- Built-In 60V/29 m $\Omega$  MOSFET
- Built-in Bootstrap Diode
- Hysteretic Control: No Compensation
- 130KHz Switching Frequency
- PWM Dimming Control Input for step-down Application
- Short-Circuit Protection (SCP) with Integrated High-Side MOSFET
- Low Quiescent Current
- Thermal Shutdown
- Available in a ESOP-8 Package with an Exposed Pad

### Applications

- Scooters, E-Bike Control Power Supplies
- Solar Energy Systems
- Automotive System Power
- Industrial Power Supplies
- High-Power LED Drivers
- USB

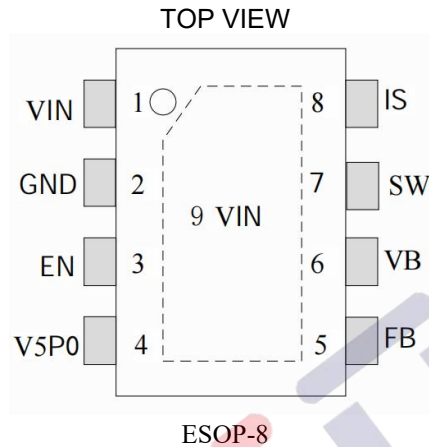
### Simplified Application



## Ordering Information

Part Number	Package	Vo	VIN MAX	IPK	Description
U3501C	ESOP-8	>2V	60V	5A	4000Pcs/Reel

## Pin Description



## Pin Functions

ESOP-8 Pin #	Name	Description
1	VIN	Input supply. VIN supplies power to all of the internal control circuitries.
2	GND	Ground. GND
3	EN	En input. Default suspension, built-in resistance
4	V5P0	The output voltage is 5.3V (Max current is 5mA)
5	FB	Feedback. FB is the input to the voltage hysteretic comparators.
6	VB	VB is the positive power supply for the internal, floating, high-side MOSFET driver. Connect a bypass capacitor between VB and SW.
7	SW	Switch node.
8	IS	Current detection. Current Sensing Input.
9	EP	Input supply. VIN supplies power to all of the internal control circuitries.

### Block Diagram

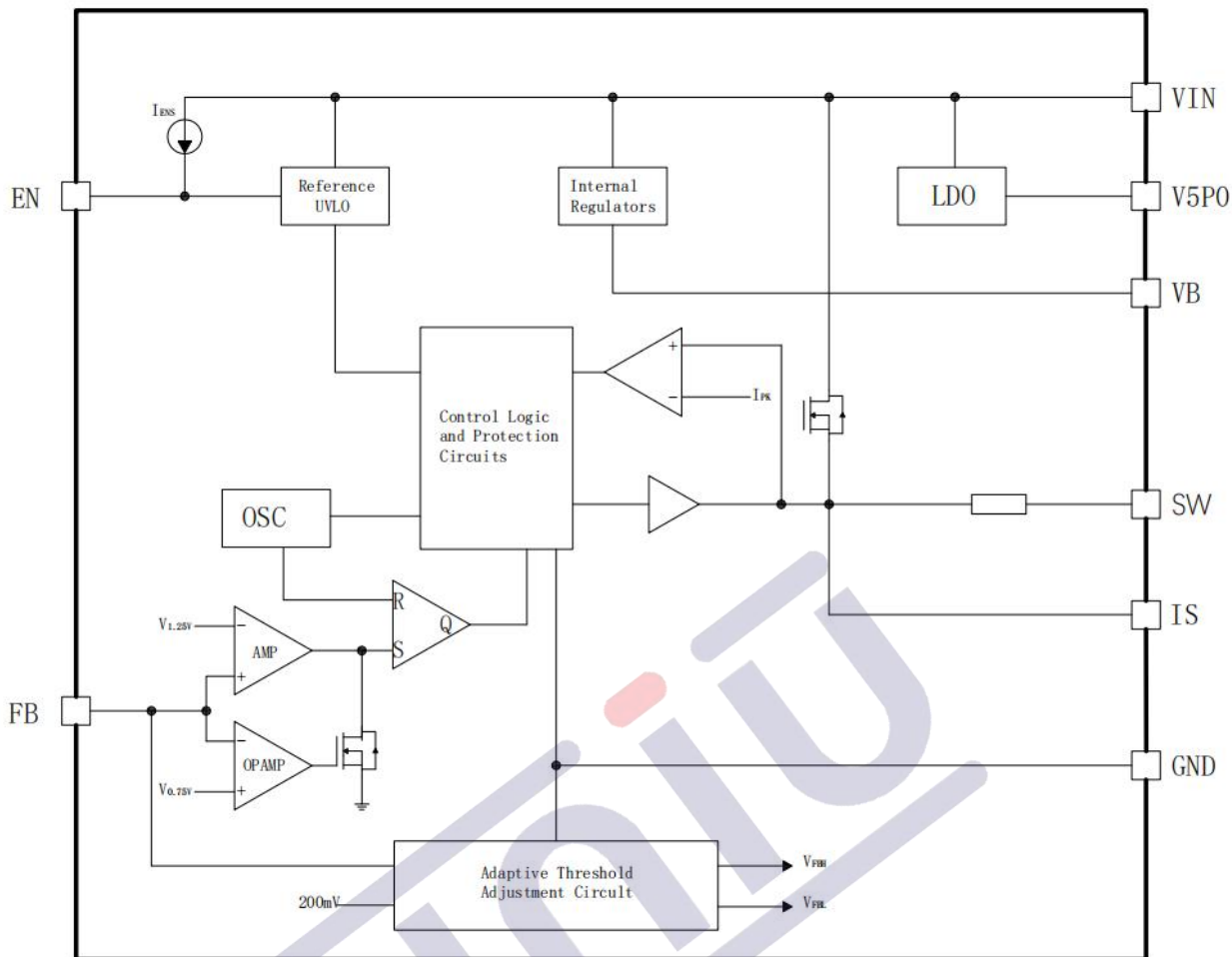


Figure 1:Function Block Diagram

### Absolute Maximum Ratings (Note 1)

Parameter	Value	Unit
VIN,SW,IS Pin Voltage Range	-0.3 to 60	V
VB Supply Voltage	60+20	V
FB, EN Voltage Range	-0.3 to 7	V
Package Thermal Resistance ---Junction to Ambient (ESOP-8)	165	°C/W
Maximum Junction Temperature	160	°C
Storage Temperature Range	-65 to 150	°C
Lead Temperature (Soldering, 10sec.)	260	°C
ESD Capability, HBM (Human Body Model)	2	kV
ESD Capability, MM (Machine Model)	200	V

*Note: For electrostatic sensitive devices, pay attention to ESD prevention measures when operating them.*

## Electrical Characteristics

$V_{IN} = 50V$ ,  $T_A = +25^{\circ}C$ , unless otherwise noted. Specifications over temperature are guaranteed by design and characterization.

Parameter	Symbol	Condition	Min	Typ	Max	Units
V5P0	$V_{V5P0}$	$V_{IN}=50V$	—	5.3	—	V
Shutdown supply current		$V_{EN} = 0V$	—	4	—	$\mu A$
Quiescent supply current		No load, $EN=4V, VS=GND$ $V_{FB} = 2.8V$	—	0.3	—	mA
Upper switch on resistance	$R_{DS(ON)}$	$V_{VB} - V_{SW} = 12V$	—	22.5	29	m $\Omega$
Upper switch leakage current	$I_{SWLK}$	$V_{EN} = 0V, V_{SW} = 0V$	—	0.02	1.5	$\mu A$
Current limit	$I_{PK}$	$V_{FB} = 1.3V$	—	5	—	A
Working frequency	$F_{SW}$		—	130	—	KHz
EN -on	$V_{ENH}$		—	2.4	5	V
EN -off	$V_{ENL}$		—	—	1	V
EN threshold hysteresis	$V_{ENHY}$		—	500	—	mV
Feedback voltage threshold	$V_{FBH}$		—	1.275	—	V
FB to ground resistance	$R_{FB}$		—	50K	—	$\Omega$
Thermal shutdown		Trigger thermal shutdown	—	150	—	$^{\circ}C$
		Hysteresis	—	20	—	

### NOTES:

**Note1.** Stresses listed as the above “Maximum Ratings” may cause permanent damage to the device. These are for stress ratings. Functional operation of the device at these or any other conditions beyond those indicated in the operational sections of the specifications is not implied. Exposure to maximum rating conditions for extended periods may remain possibility to affect device reliability.

**Note2.** The device is not guaranteed to function outside its operating conditions.

**Note3.** Guaranteed by design.

## Operation

### Hysteresis Voltage Control with Adaptive Threshold Adjustment

The U3501C operates in a hysteretic voltage-control mode to regulate the output voltage. FB is connected to the tap of a resistor divider, which determines the output voltage. The power MOSFET is turned on when the FB voltage ( $V_{FB}$ ) rises to FBoN and remains on until  $V_{FB}$  rises to FBoff. The power MOSFET is turned off when  $V_{FB}$  drops to FBoff and remains off until  $V_{FB}$  falls to FBoN. The two thresholds of FBoN and FBoff are adjusted adaptively to compensate for all the circuit delays, so the output voltage is regulated with an average 1.275V value at FB.

### Floating Driver and Bootstrap Charging

The floating power MOSFET driver is powered by an external bootstrap capacitor.

The bootstrap capacitor is charged and regulated to about 12V by the dedicated internal bootstrap regulator.

If the internal circuit does not have sufficient voltage, and the bootstrap capacitor is not sufficiently charged, extra external circuitry can be used to ensure that the bootstrap voltage is in the normal operating region. Refer to the External Bootstrap Diode section for more details.

### Fast charging Function for USB Applications

Because the FB reference of the U3501C is very flexible, it is recommended to use the U3501C for USB Fast charging Applications by connecting the current sense resistor between FB and GND.

### Thermal Shutdown

Thermal shutdown is implemented to prevent the chip from operating at exceedingly high temperatures. When the silicon die temperature is higher than its upper threshold, the entire chip shuts down. When the temperature is lower than its lower threshold, the chip is enabled again.

### Output Short Protection

The output voltage is well-regulated when  $V_{FB}$  is around 1.275V. If the output is pulled low in over-current protection (OCP) or is shorted to GND directly,  $V_{FB}$  is low, even though the power MOSFET is turned on. The U3501C regards the low  $V_{FB}$  as a failure. The power MOSFET shuts off if the failure time is longer than 10 $\mu$ s. The U3501C attempts operation again after a delay of about 300 $\mu$ s. The power MOSFET current is also accurately sensed via a current sense MOSFET. If the current is over the current limit, the IC is shut down. This offers extra protection under output-short conditions.

## Application Information

### Setting the Output Voltage

The output voltage ( $V_{OUT}$ ) is set by a resistor divider ( $R1$  and  $R2$ ) (see the Typical Application on page 1). To achieve good noise immunity and low power loss,  $R2$  is recommended to be in the range of  $1k\Omega$  to  $50k\Omega$ .  $R1$  can then be determined with Equation (1):

$$R1 = \frac{V_{OUT} - V_{FB}}{V_{FB}} \times R2 \quad (1)$$

Where  $V_{FB}$  is 1.275V, typically.

FB has 50K resistance inside, and the calculation is in parallel with  $R2$

### Output Capacitor and Frequency Setting

The output capacitor ( $C_{OUT}$ ) is necessary for achieving a smooth output voltage. The ESR of the capacitor should be sufficiently large compared to the capacitance; otherwise, the system may behave in an unexpected way, and the current ripple may be very high. When the power MOSFET is turned on,  $V_{FB}$  becomes 1.275V. To charge the capacitor and generate 1.275V at FB, the system needs ESR and some inductor current. For example, for a 5V  $V_{OUT}$ , if the forward capacitor is  $0.1\mu F$ , the suggested ESR range of the output capacitor is  $100m\Omega$  to  $250m\Omega$ . Tantalum or aluminum electrolytic capacitors with a small ceramic capacitor are recommended.

A forward capacitor across  $R1$  is recommended when the output capacitor is tantalum or aluminum electrolytic, which can set the desired frequency if the output capacitor and ESR cannot be changed. The forward capacitor can reduce the output voltage ripple.

In some application, simply a forward capacitor may not get proper frequency, then we can add a forward resistor in series with the forward capacitor or even more add a ceramic on the output.

### Selecting the Inductor

The inductor ( $L$ ) is required to convert the switching voltage to a smooth current to the load. Although the output current is low, it is recommended that the inductor current be continuous in each switching period to prevent reaching the current limit. Calculate the inductor value with Equation (2):

$$L = \frac{(V_{IN} - V_{OUT}) \times V_{OUT}}{F_{SW} \times I_{OUT} \times V_{IN} \times K} \quad (2)$$

Where  $K$  is a coefficient of about 0.15 ~ 0.85

### Output Rectifier Diode

The output rectifier diode supplies current to the inductor when the high-side switch is off. To reduce losses due to the diode forward voltage and recovery times, use a Schottky diode. The average current through the diode can be approximated with Equation (3):

$$I_D = I_{OUT} \times \left(1 - \frac{V_{OUT}}{V_{IN}}\right) \quad (3)$$

Choose a diode with a maximum reverse voltage rating greater than the maximum input voltage and a current rating is greater than the average diode current.

### Input Capacitor ( $C_{IN}$ )

The input current to the step-down converter is discontinuous and therefore requires a capacitor to supply AC current to the step-down converter while maintaining the DC input voltage. Use low ESR capacitors for the best performance, especially under high switching frequency applications.

The RMS current through the input capacitor can be calculated with Equation (4):

$$I_{IN\_AC} = I_{OUT} \times \sqrt{\frac{V_{OUT}}{V_{IN}} \times \left(1 - \frac{V_{OUT}}{V_{IN}}\right)} \quad (4)$$

With low ESR capacitors, the input voltage ripple can be estimated with Equation (5):

$$\Delta V_{IN} = \frac{I_{OUT} \times V_{OUT}}{F_{SW} \times C_{IN} \times V_{IN}} \times \left(1 - \frac{V_{OUT}}{V_{IN}}\right) \quad (5)$$

Choose an input capacitor with enough RMS current rating and enough capacitance for small input voltage ripples.

When electrolytic or tantalum capacitors are applied, a small, high-quality ceramic capacitor (i.e.: 0.1  $\mu$ F) should be placed as close to the IC as possible.

### External Bootstrap Diode

An external bootstrap diode may enhance the efficiency of the converter (see Figure 2).

The bootstrap diode can be a low-cost one, Optimize circuit structure, save cost, and reduce error rate for peripheral circuit configuration.

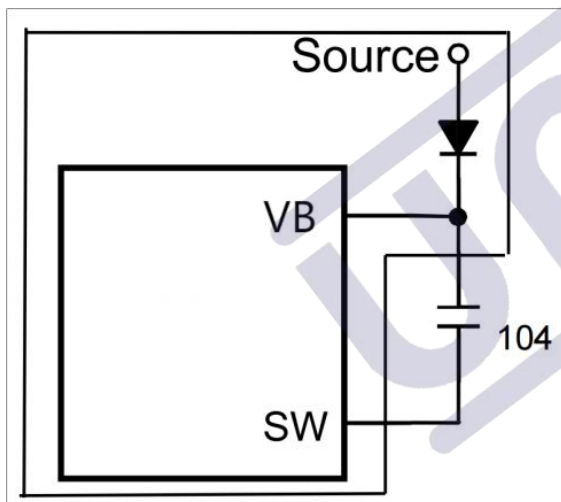


Figure 2: External Bootstrap Diode

### PCB Layout Guidelines

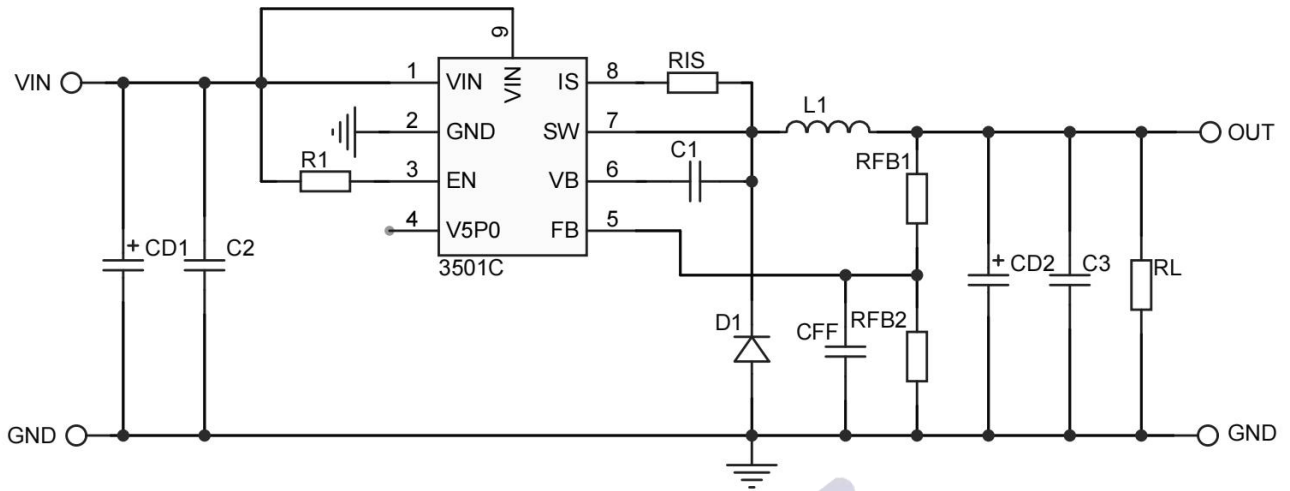
Efficient PCB layout is critical for stable operation. For best results, refer to Figure 3 and follow the guidelines below.

1. Place the input decoupling capacitor, catch diode, and the U3501C (VIN, SW, and PGND) as close to each other as possible.
2. Keep the power traces very short and fairly wide, especially for the SW node. This can help greatly reduce voltage spikes on the SW node and lower the EMI noise level.
3. Run the feedback trace as far from the inductor and noisy power traces (like the SW node) as possible.
4. Place thermal vias with 15mil barrel diameter and 40mil pitch (distance between the centers) under the exposed pad to improve thermal conduction.

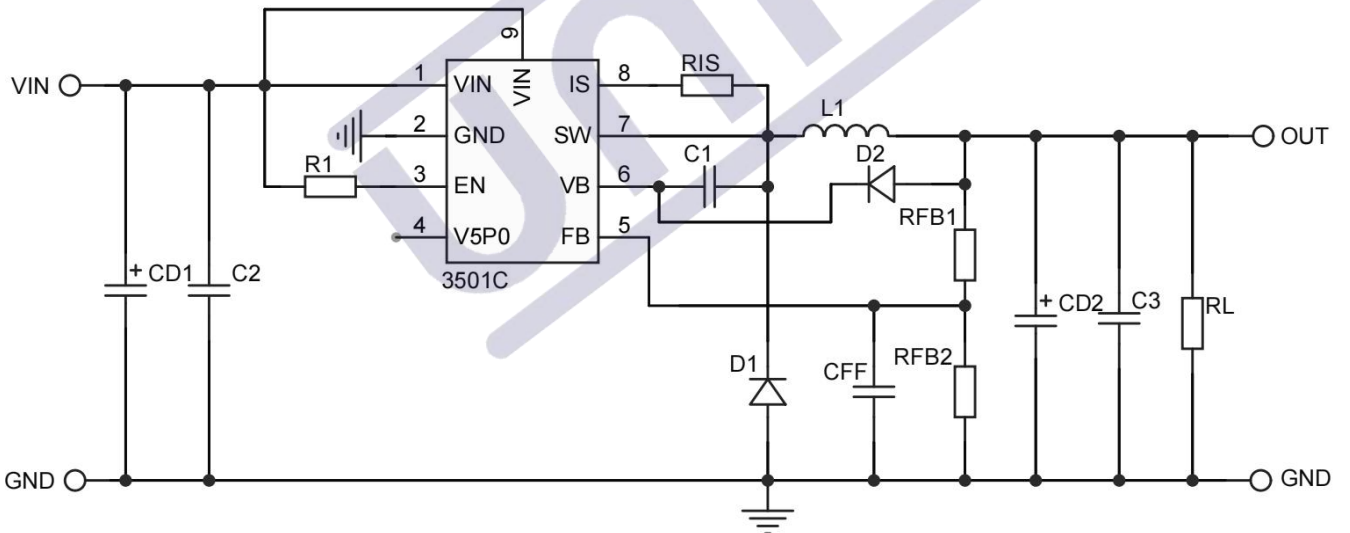


# Typical Application Circuit

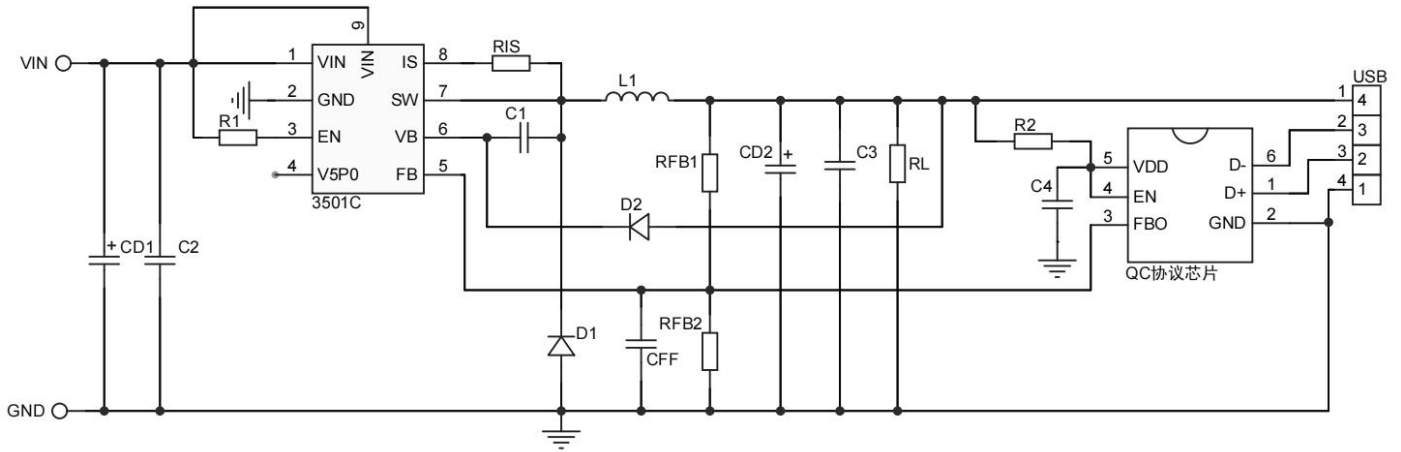
APP1:  $V_{OUT} < 10V$



APP2:  $V_{OUT} = 10 \sim 15V$



APP3:QC2.0/QC3.0

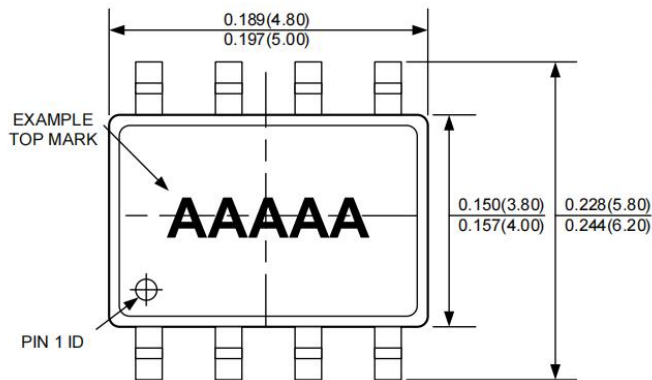


1. Typical application circuit and parameters for reference, the actual application circuit parameters please set on the basis of measurement, mass production please communicate with the original factory, other unknown please contact our engineers.
2. Input electrolytic capacitor (CE1) and continuous current diode (D1) according to the actual use of voltage, current to adjust.
3. Continuous current diode recommended to use Schottky.

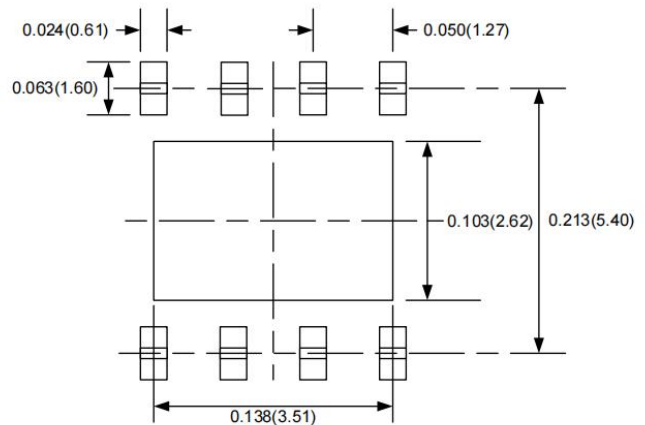


# Package Information

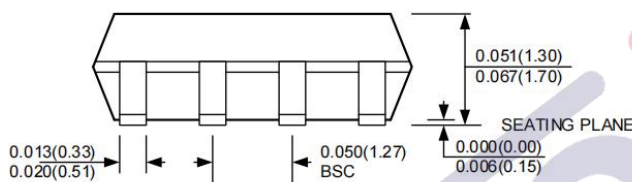
## ESOP-8 (EXPOSED PAD)



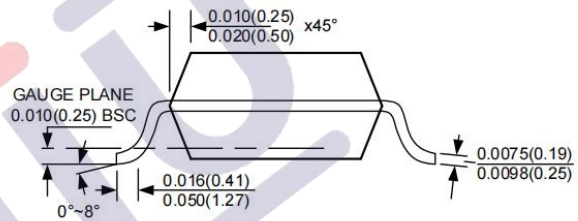
**TOP VIEW**



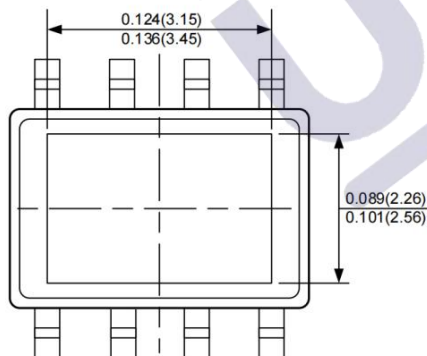
**RECOMMENDED PAD LAYOUT**



**FRONT VIEW**



**SIDE VIEW**



**BOTTOM VIEW**

**NOTE:**

1. CONTROL DIMENSION IS IN INCHES. DIMENSION IN BRACKET IS IN MILLIMETERS.
2. PACKAGE LENGTH DOES NOT INCLUDE MOLD FLASH, PROTRUSIONS OR GATE BURRS.
3. PACKAGE WIDTH DOES NOT INCLUDE INTERLEAD FLASH OR PROTRUSIONS.
4. LEAD COPLANARITY (BOTTOM OF LEADS AFTER FORMING) SHALL BE 0.004" INCHES MAX.
5. DRAWING CONFORMS TO JEDEC MS-012, VARIATION BA.
6. DRAWING IS NOT TO SCALE

**NOTICE:** The information in this document is subject to change without notice. Users should warrant and guarantee that third party Intellectual Property rights are not infringed upon when integrating UNI products into any application. UNI will not assume any legal responsibility for any said applications.

## 1、版本记录

DATE	REV.	DESCRIPTION
2023/2/25	1.0	首次发布
2023/7/12	1.1	优化参数
2024/5/16	1.2	应用图变更

## 2、免责声明

浙江宇力微新能源科技有限公司保留对本文档的更改和解释权力，不另行通知!

客户在下单前应获取我司最新版本资料，并验证相关信息是否最新和完整。量产方案需使用方自行验证并自担所有批量风险责任。未经我司授权，该文件不得私自复制和修改。

产品不断提升，以追求高品质、稳定性强、可靠性高、环保、节能、高效为目标，我司将竭诚为客户提供性价比高的系统开发方案、技术支持等更优秀的服务。

版权所有 浙江宇力微新能源科技有限公司/绍兴宇力半导体有限公司

## 3、联系我们

浙江宇力微新能源科技有限公司

总部地址：绍兴市越城区斗门街道袍渎路25号中节能科创园45幢4/5楼

电话：0575-85087896（研发部）

传真：0575-88125157

E-mail:htw@uni-semic.com

无锡地址：江苏省无锡市锡山区先锋中路6号中国电子（无锡）数字芯城1#综合楼503室

电话:0510-85297939

E-mail:zh@uni-semic.com

深圳地址：深圳市宝安区西乡街道南昌社区宝源路泳辉国际商务大厦410

电话：0755-84510976

E-mail:htw@uni-semic.com